

2mm LOW PROFILE TMM SERIES

SPECIFICATIONS

Materials:

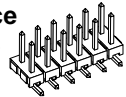
Insulator Material: Black Liquid Crystal Polymer
Terminal Material: Phosphor Bronze
Operating Temp Range: -65°C to +105°C with Tin; -65°C to +125°C with Gold Plating.
Plating: Sn or Au over 50µ" (1.27µm) Ni



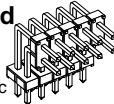
Mates with: CLT, SQT, SQW, ESQT, TLE, SMM, MMS, TCSD

ALSO AVAILABLE

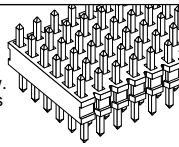
Surface Mount
See page 92



Elevated Right Angle
Call Samtec



Ultra High Density
For 4, 5 and 6 row. See TMMH Series page 94



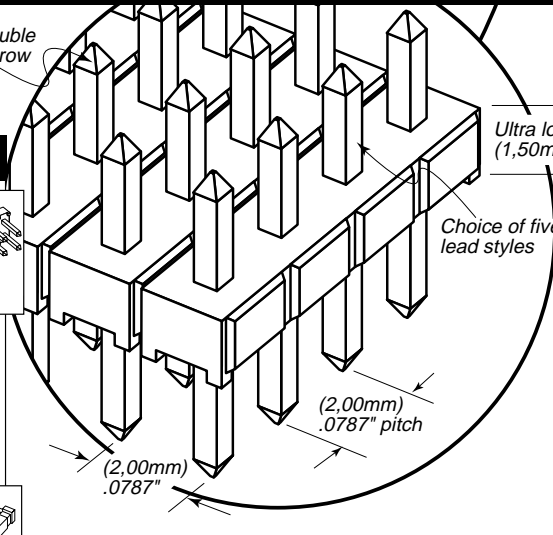
2mm Shunt
Specify 2SN-BK-G for 2mm shunt with Gold plating.



Single, double and quad row

Ultra low profile (1,50mm) .059"

Choice of five lead styles



CURRENT RATING		
AMBIENT TEMP	Mated with	
	SQT	CLT
20°C	5.5A	4.8A
40°C	5A	4.4A
60°C	4A	3.6A
80°C	3A	3A

TMM	NO. PINS PER ROW	LEAD STYLE	PLATING OPTION	ROW OPTION	OTHER OPTION
01 thru 50		Specify Lead Style from chart below.	<p>-G = 20µ" (0,51µm) Gold post on contact area flash on tail</p> <p>-T = 150µ" (3,81µm) Tin</p> <p>-S = 30µ" (0,76µm) Gold on contact area 150µ" (3,81µm) Tin on tail</p> <p>-L = 10µ" (0,25µm) Gold on contact area 150µ" (3,81µm) Tin on tail</p>	<p>-S = Single Row</p> <p>-D = Double Row</p> <p>-Q = Four Row</p>	<p>- "XXX" = Polarized Position Specify position of omitted pin</p> <p>-RA & -RE = Right Angle (Lead Style -01 only)</p> <p>-MW = Metal Washers on Solder Tails (30 pins per row maximum) Right Angle not available.</p>

LEAD STYLE	A	B	C
-01	(3,20) .126	(3,50) .138	
-02	(8,20) .323	(3,70) .146	(3,00) .118
-03	(4,00) .158	(2,70) .106	
-04	(5,69) .224	(1,91) .075	(2,29) .090
-05	(5,18) .204	(1,65) .065	

OPTION	D
-RA	(1,27) .050
-RE	(3,56) .140

Note: Some lengths, styles and options are non-standard, non-returnable.

Processing:

Max Processing Temp: 230°C for 60 seconds

