

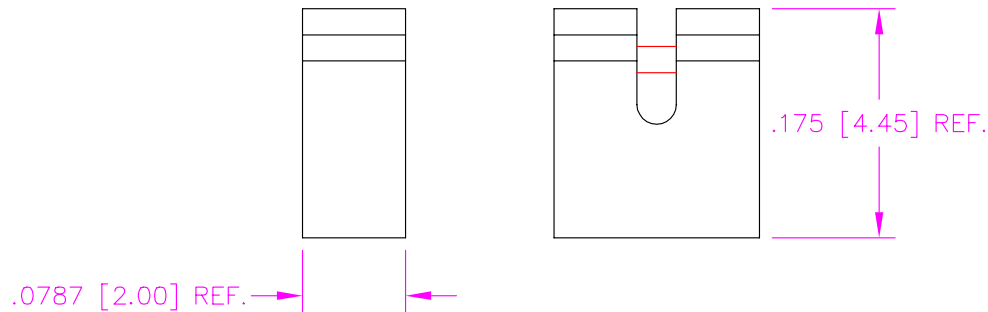
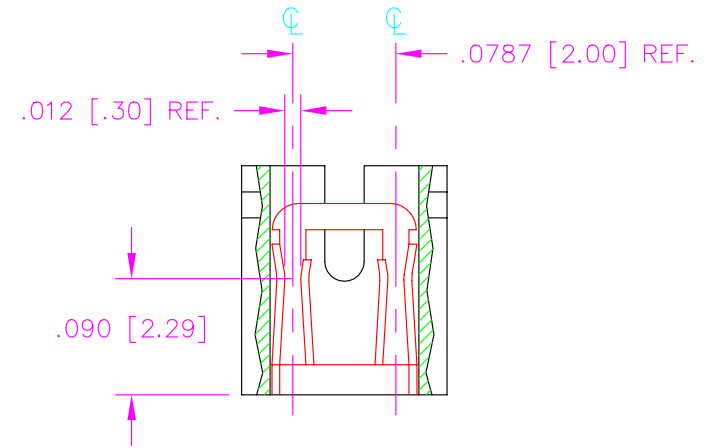
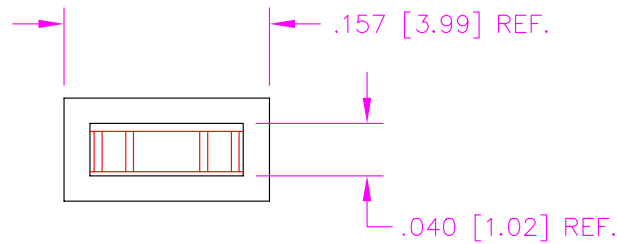
REV. B

DIMENSIONS ARE IN INCHES		UNLESS OTHERWISE NOTED	TOLERANCES ARE:	TITLE:	DWG NO:
ONE PLACE DECIMALS ± .1	THREE PLACE DECIMALS ± .005		ANGLES ± 5°	2 mm C.L. SHUNT ASSEMBLY	2SN-XX-X
TWO PLACE DECIMALS ± .01	FOUR PLACE DECIMALS ± .0020				SHEET 1 OF 1

2SN-XX-X

COLOR SPECIFICATION
-BK: BLACK

PLATING SPECIFICATION
-G: GOLD: SPECIFY -G IN CONTACT SUFFIX -X



Do not scale
from this print

NOTES:

1. DIM IN [] ARE METRIC AND ARE NOT CONTROLLING DIMENSIONS.
2. INSULATOR MATERIAL: BLACK, GLASS-FILLED POLYESTER.
CONTACT MATERIAL: PHOSPHOR BRONZE

PROPRIETARY NOTE
THIS DOCUMENT CONTAINS INFORMATION CONFIDENTIAL AND PROPRIETARY TO SAMTEC INC. AND SHALL NOT BE REPRODUCED OR TRANSFERRED TO OTHER DOCUMENTS OR DISCLOSED TO OTHERS OR USED FOR ANY PURPOSE OTHER THAN THAT FOR WHICH IT WAS OBTAINED WITHOUT THE EXPRESSED WRITTEN CONSENT OF SAMTEC INC.

PLOT SCALE: 1=.075

samtec

MISC\MKTG
2SN-MKT

810 PROGRESS BLVD. NEW ALBANY, INDIANA 47150
PHONE (812) 944-6733 P.O. BOX 1147
CODE 55322

MADE BY: GREG REIDINGER 3-8-93
CHECKED BY: ECKERT

ENG APPROVAL
PAE

2SN-XX-X
SHEET 1 OF 1