



FEATURES

- 3-Channel Magnet Driver.
- High Current (2.0A Max.) and Low Saturation Voltage(1.5V).
- Parallel Operation Capability (Channel 1+2).
- On-Chip Spark Killer Diodes.

ABSOLUTE MAXIMUM RATINGS (at Ta=25°C)

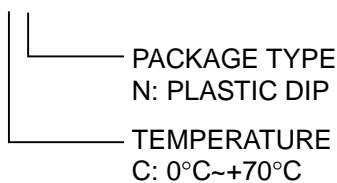
				UNIT
• Maximum Supply Voltage	V _{CC} max		8.0	V
• Output Supply Voltage	V _{OUT}		10.0	V
• Input Supply Voltage	V _{IN}		12.0	V
• Output Current	I _{OUT1}	T _{ON} ≤50mS, Duty=20%, Solenoid Drive Channel (ch1,2)	1.0	A
	I _{OUT2}	T _{ON} ≤50mS, Duty=5% Motor Drive Channel (ch3)	2.5	A
• Spark Killer Diode Forward Current	I _{FSM1}	T≤5mS, Duty=5%, Solenoid Drive Channel (ch1,2)	1.0	A
	I _{FSM2}	T≤5mS, Duty=5%, Motor Drive Channel (ch3)	2.5	A
• V _{CC} Instantaneous Flow-out Current	I _{CCP}	T≤5mS, Duty=5%	3.0	A
• GND Flow-out Current	I _{GND}	T≤50mS, Duty=20%	3.0	A
• Allowable Power Dissipation	P _{DMAX}		785	mW
• Operating Temperature	T _{OPG}		-20 ~ +75	°C
• Storage Temperature	T _{STG}		-65 ~ +150	°C

ALLOWABLE OPERATING CONDITIONS (at Ta=25°C)

• Supply Voltage	V _{CC}		3.0 ~ 7.0V
• Input "H" Level Voltage	V _{IH}	I _{OUT} =300mA	3.0 ~ 11.0V
• Input "L" Level Voltage	V _{IL}	I _{OUT} ≤100μA	-0.3 ~ +0.7V

ORDERING INFORMATION

LB1268 XX



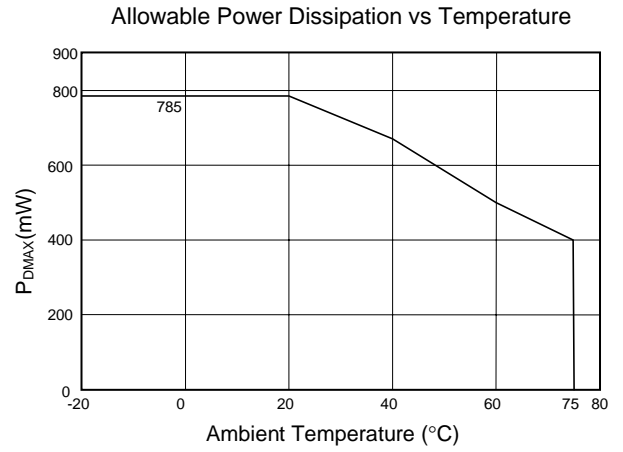
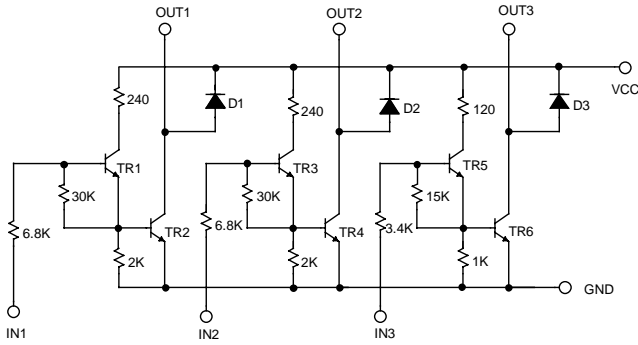
ORDER NUMBER	PIN CONFIGURATION
LB1268CN (PLASTIC DIP)	TOP VIEW

**ELECTRICAL CHARACTERISTICS (Ta=25°C)**

PARAMETER	TEST CONDITIONS	SYMBOL	MIN.	TYP.	MAX.	UNIT
Output Voltage	V _{IN} =4.5V, V _{CC} =5.0V, I _{OUT} =500mA (ch1,2)	V _{OH1}		0.44	0.65	V
	V _{IN} =6.0V, V _{CC} =7.0V, I _{OUT} =1000mA (ch1,2)	V _{OH2}		0.88	1.4	V
	V _{IN} =6.0V, V _{CC} =7.0V, I _{OUT} =1600mA (ch1,2 parallel)	V _{OH3}			1.4	V
	V _{IN} =3.0V, V _{CC} =3.0V, I _{OUT} =300mA (ch3)	V _{OH4}		0.19	0.25	V
	V _{IN} =4.5V, V _{CC} =5.0V, I _{OUT} =1000mA (ch3)	V _{OH5}		0.5	0.7	V
	V _{IN} =6.0V, V _{CC} =7.0V, I _{OUT} =2000mA (ch3)	V _{OH6}		1.0	1.5	V
Input Current	V _{IN} =6.0V (ch1,2)	I _{IN1}			1.0	mA
	V _{IN} =6.0V (ch3)	I _{IN2}			2.0	mA
Power Source + Output Leakage Current	V _{IN} =0.5V, V _{OUT} =V _{CC} =6.0V	I _{OFF}			30	μA
Spark Killer Diode Forward Voltage	I _F =1000mA (ch1,2)	V _{F1}			3.0	V
	I _F =2000mA (ch3)	V _{F2}			3.0	V
Output Sustain Voltage	I _{OUT} =400mA	V _{O(SUS)}	10			V

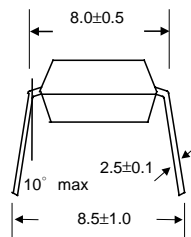
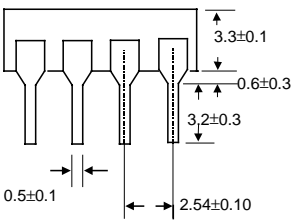
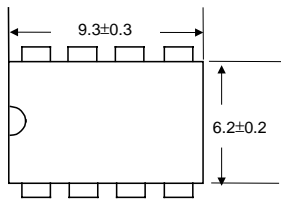


EQUIVALENT CIRCUIT



PHYSICAL DIMENSIONS

● 8 LEAD PLASTIC DIP



UNIT:mm